



THE ACOUSTIC SOLUTION FOR VIDEO CALLS

www.preformacoustics.com

Casa

THE ACOUSTIC SOLUTION FOR VIDEO CONFERENCING

PREFORM Casa is our acoustic solution for video conferencing, focused work and everything in between to make hybrid workspaces work.



optimized for video calls



durable materials & patented gypsum foam



open design aesthetic & custom colors options



can be combined with 55/63 in sit / stand desk



minimized sound propagation



premium quality & German engineering



compact size & efficient use of space



no ventilation necessary

How do you want to work today?

Designed for video conferencing, focused work and everything in between.

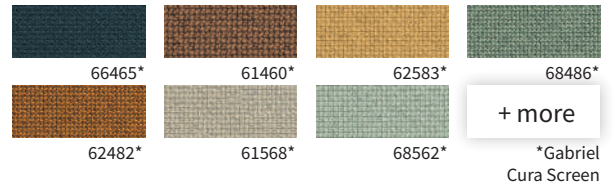


PREFORM Casa

With video conferencing here to stay after the pandemic, PREFORM Casa is the solution for modern offices to adapt to your preferred working style. Spontaneous video calls can be seamlessly integrated with concentrated work. The sound-absorbing acoustic material combined with the curved side walls reduces distractions for both you and your colleagues. Thanks to the open design you can stay connected with your surroundings. Its compact size fits into the standard office grid and allows you to use space efficiently.

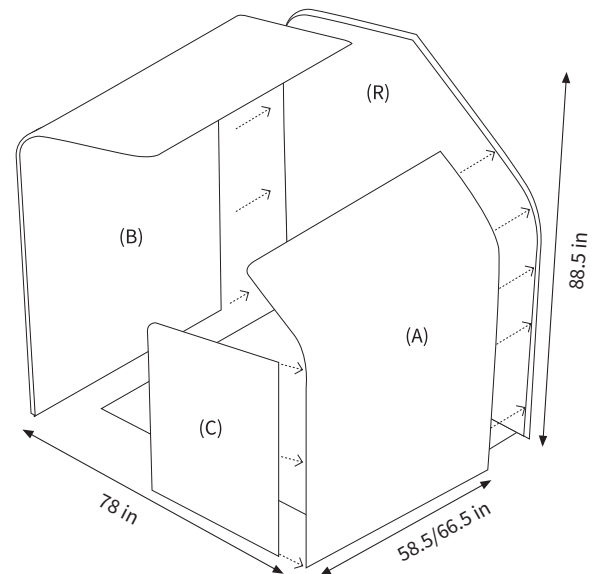
Fit in & stand out

Structured or playful? Choose your colors to achieve a homey feel and create a sense of belonging to your company. Each element can be customized in color.



Technical Specifications

- Dimensions** 78 in x 58.5/66.5 in x 88.5 in (W x D x H)
1.5 in wall thickness. Designed for 1 person.
- Weight** 174 lbs
- Acoustics** Minimized sound propagation through partially open pitched roof and sound absorption close to the source. All walls filled with acoustic foam. Sound absorber class C according to ISO 354:2003 with a rated sound absorption coefficient according to ISO 11654 of $\alpha_W = 0.60$. Sound insulation measure according to ISO 140-3 with $R_W = 15$ dB.
- Materials** Patented *gypsum foam*: highly sound-absorbing, non-toxic and odorless, moisture-regulating properties of gypsum, flame retardant. *Aluminum frame covered in fleece and fabric*, flame retardant.



Easy assembly 1.5 hours. 2 people.

Certificates

ANSI/BIFMA X5.6-2016



🌐 www.preformacoustics.com // info@preform.de

✉ PREFORM GmbH / 1207 Delaware Ave #479 / Wilmington, DE 19806

About PREFORM

With more than 40 years of experience the Germany-based company is a leading provider of customized acoustic solutions for modern workspaces. PREFORM produces its own acoustic absorber material, combining exceptional acoustics with contemporary design at engineering excellence.